

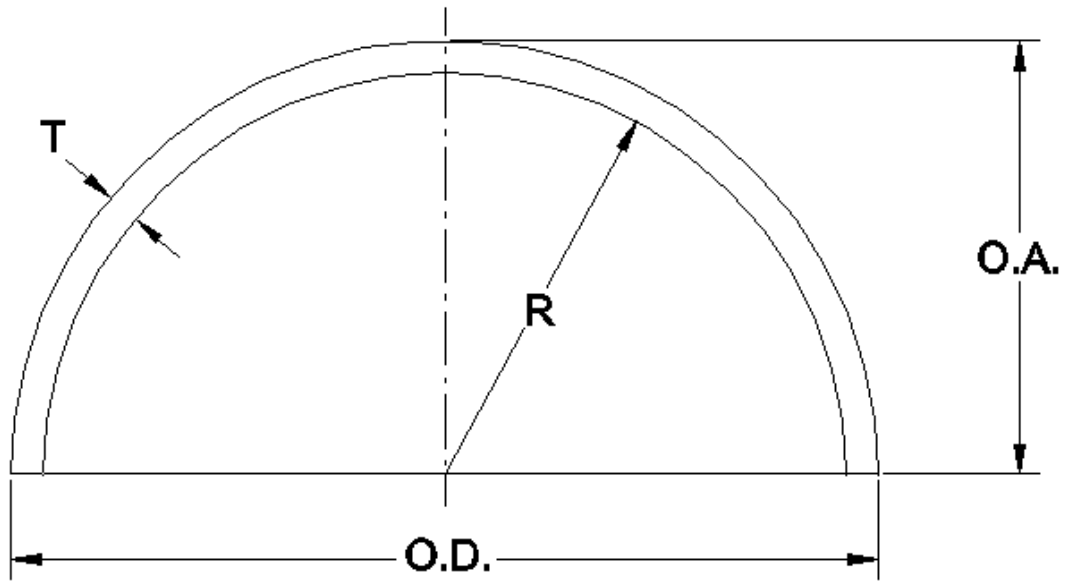


To return to Commercial Metal Forming website home page [click here](#)

Hemispherical ASME Code Type

Hemispherical ASME code type heads are made in popular sizes and thicknesses and are widely used for storage of liquids and gasses under pressure. Hemispherical ASME code type heads can be formed in a size range of 10 3/4" to 40 1/2" diameter and in a thickness up to 2" thick. **This type of head is made and stocked in the most popular diameters and thicknesses in our 4 conveniently located distribution centers.** [Click here](#) to view the list of stock heads.

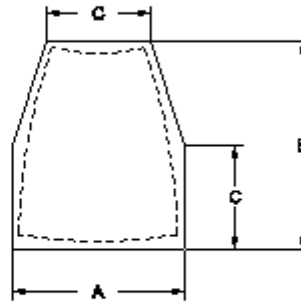
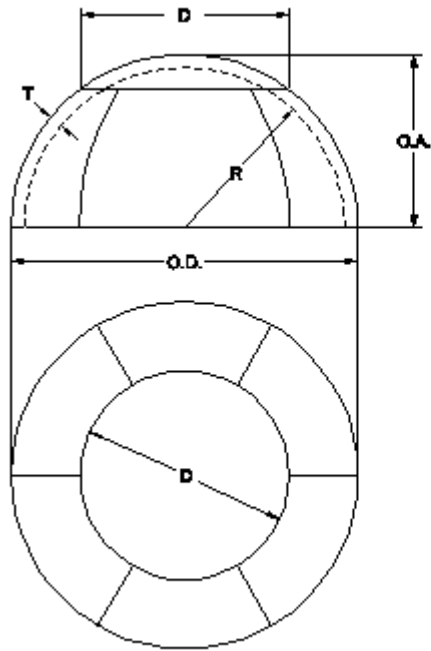




Die formed hemispheres made in Ohio and California have a depth of dish approximately $\frac{1}{2}$ the diameter.

Segmental sections are also available up to 1 $\frac{1}{2}$ " thick from our California plant. These sections are welded together to form hemispherical shapes of any size. Segmented hemispheres can be provided completely assembled, trim-fit and knocked down, or untrimmed and unassembled.





Contact us today and discover why we are recognized as an industry leader in product quality and customer service.

OHIO

Ph. (800) 826-5363

Ph. (800) 826-5867

Fx. (330) 740-8599

TEXAS

Ph. (800) 433-7040

Fx. (817) 232-0213

CALIFORNIA

Ph. (800) 854-3307

Fx. (714) 532-4126